

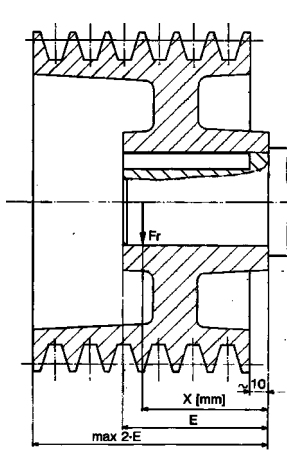
JKO MEZ CZ spol. s r.o.  
Hájecká 2  
618 00 BRNO  
Czech Republic

MM 112

Pacco Lenght	Max potenza eccitazione Max excitation power	Momento di inerzia Moment of inertia	Dimensioni spazzole Brushes dimensions	Cuscinetto lato accoppiamento Drive end bearing		Cuscinetto lato collettore No-drive end bearing	Peso Weight
				Sfere Balls	Rulli Rollers		
	W	Kg · m <sup>2</sup>	mm				Kg
S	350	0.055	10x16x25	6308 - 2Z	NU 308	6305 - 2Z	86
M	400	0.067					94
L	500	0.095					113

Dati ventilazione Ventilation		Elettroventilatore Electrofan		Rumorosità Noise
Portata Air flow	Prevalenza Pressure	Potenza Power	I a 380 V I at 380 V	
m <sup>3</sup> /h	mm H <sub>2</sub> O	Kw	A	dB <sub>A</sub>
450	60	0.18	0,7	73

Carico radiale (Newton) ammissibile per una durata teorica del cuscinetto lato accoppiamento di 20.000 ore  
Admitted radial load (Newton) for a theoetic 20.000 hours of the drive end bearing

	rpm	200	400	600	1000	1200	1500	2000	2500	3000	3500	4000	5000		
		6308 - 2Z	X	Fr (N)											
			0	5580	4300	3750	3000	2880	2650	2330	2150	2000	1880	1750	1550
20	5350		4050	3600	2900	2780	2550	2250	2070	1940	1800	1680	1520		
40			3870	3450	2770	2650	2450	2150	1980	1840	1720	1620	1490		
60			3750	3350	2670	2550	2350	2070	1920	1780	1670	1580	1420		
NU 308	X	Fr (N)													
	0		7700	6800	5600	5380	5000	4600	4100	3950	3750	3600	3300		
	20			6520	5450	5200	4800	4450	3950	3850	3600	3450	3150		
	30						4600	4250	3800	3650	3450	3300	3000		
	40								3650	3500	3300	3200	2900		
50												3100	2800		

# MM 112 S

	VELOCITÀ [rpm] ALLE TENSIONI						P [kw]	I [A]	$\eta$ [%]	ARMATURA	
	160V	220V	260V	330V	400V	440V				L [mH]	R <sub>115°</sub> [Ω]
A	2820						11.4	80.0	89.0	0.8	0.12
		3970					15.7	80.0	89.3		
B	2030						10.9	80.0	85.4	1.4	0.21
		2890					15.6	80.0	88.5		
			3470				18.6	80.0	89.2		
C	1540						9.5	72.7	82.0	2.2	0.34
		2230					13.6	71.7	86.4		
			2700				16.3	71.2	88.0		
				3510			20.6	69.9	89.2		
D	1240						7.7	61.0	79.2	3.1	0.48
		1820					11.2	60.6	84.0		
			2200				13.5	60.2	86.2		
				2880			17.4	59.6	88.4		
E					3550		20.9	58.6	89.2	4.3	0.65
	1020						6.4	52.6	76.0		
		1520					9.4	52.3	82.0		
			1850				11.4	52.0	84.2		
F							14.8	51.5	87.0	5.6	0.86
					3010		18.0	50.9	88.6		
						3340	19.8	50.5	89.0		
	860						5.4	45.9	73.2		
G		1290					8.0	45.7	79.8	7.0	1.1
			1580				9.7	45.4	82.4		
				2090			12.7	45.1	85.8		
					2590		15.7	44.7	87.8		
H					2880		17.3	44.5	88.4	8.7	1.4
	740						4.6	41.0	70.8		
		1120					6.9	40.8	77.5		
			1380				8.6	40.7	80.8		
I							11.2	40.5	84.1	10.5	1.6
					2280		13.8	40.0	86.5		
						2540	15.4	39.9	87.7		
	630						4.0	36.7	68.0		
J		970					6.0	36.6	75.2	42	6.5
			1200				7.5	36.5	78.8		
				1610			10.0	36.3	82.7		
					2010		12.3	36.1	85.2		
K					2240		13.6	35.9	86.4	50	7.9
							5.3	33.2	73.2		
		860					6.6	33.1	76.8		
			1070				8.8	33.0	81.2		
L						1810	11.0	32.9	84.0	670	4.1
							8.8	32.9	84.0		
							11.0	32.9	84.0		
						2020	12.2	32.7	85.2		

	VELOCITÀ [rpm] ALLE TENSIONI						P [kw]	I [A]	$\eta$ [%]	ARMATURA	
	160V	220V	260V	330V	400V	440V				L [mH]	R <sub>115°</sub> [Ω]
J							4.7	30.2	71.2	12	2.0
		760					5.8	30.1	75.0		
			950				7.9	30.0	79.8		
				1290			9.8	29.8	82.8		
K							11.0	29.7	84.1	14	2.3
							4.3	28.0	69.2		
		680					5.3	28.0	73.2		
			860				7.2	27.9	78.0		
L							9.1	27.8	81.7	17	2.6
							10.1	27.7	83.0		
							4.9	26.4	71.6		
				780			6.6	26.3	76.8		
M							8.4	26.2	80.5	19	3.0
							9.4	26.1	82.0		
							4.5	25.0	70.0		
				710			6.2	24.9	75.5		
N							7.8	24.8	79.2	22	3.4
							8.8	24.8	80.8		
							4.1	23.0	68.5		
				650			5.6	22.9	74.0		
O							7.1	22.9	78.0	28	4.2
							8.0	22.8	79.8		
							4.8	20.5	71.6		
				780			6.1	20.4	75.0		
P							6.9	20.4	77.6	34	5.3
							4.1	18.3	68.9		
							5.3	18.3	73.4		
				670			6.0	18.2	75.5		
Q							6.0	18.2	75.5	42	6.5
							4.1	18.3	68.9		
							5.3	18.3	73.4		
							6.0	18.2	75.5		
R							4.7	16.6	71.2	50	7.9
							5.3	16.6	73.4		
							4.7	15.0	69.0		
							4.7	15.0	71.4		

# MM 112 M

	VELOCITÀ [rpm] ALLE TENSIONI						P [kw]	I [A]	η [%]	ARMATURA	
	160V	220V	260V	330V	400V	440V				L [mH]	R <sub>115</sub> [Ω]
A	2300						11.2	80.0	87.8	1	0.14
		3230					15.7	80.0	89.6		
			3860				18.7	80.0	89.8		
B	1700						10.8	80.0	84.7	1.8	0.24
		2400					15.4	80.0	88.0		
			2870				18.5	80.0	89.2		
				3690			23.6	80.0	89.7		
C	1220						9.3	72.8	80.4	2.8	0.38
		1790					13.5	72.2	85.2		
			2160				16.2	71.8	87.2		
				2820			20.8	70.8	89.1		
					3480		24.9	69.7	89.6		
D	980						7.5	61.3	77.0	4.0	0.54
		1450					11.0	60.7	82.8		
			1760				13.3	60.5	85.0		
				2310			17.3	60.0	87.8		
					2860		21.2	59.4	89.2		
						3170	23.2	58.9	89.5		
E	800						6.2	52.6	74.0	5.4	0.73
		1210					9.2	52.2	80.3		
			1470				11.2	52.0	83.0		
				1950			14.7	51.7	86.3		
					2410		18.0	51.3	88.0		
						2680	19.9	51.1	88.8		
F	670						5.2	45.9	71.0	7.0	0.98
		1020					7.8	45.7	77.8		
			1250				9.5	45.5	80.8		
				1660			12.5	45.2	84.3		
					2080		15.6	44.9	87.0		
						2310	17.2	44.7	87.8		
G		890					6.8	40.9	75.6	8.9	1.18
			1100				8.3	40.7	78.8		
				1460			11.0	40.4	82.8		
					1830		13.7	40.1	85.6		
						2040	15.2	40.0	86.7		
H		760					5.9	36.6	73.2	11	1.53
			950				7.2	36.5	76.5		
				1280			9.7	36.3	81.2		
					1610		12.1	36.1	84.0		
						1800	13.4	35.9	85.3		
I		670					5.1	33.1	71.0	13	1.83
			850				6.4	33.0	74.8		
				1140			8.6	32.9	79.4		
					1440		10.8	32.8	82.7		
						1610	12.0	32.7	84.0		

	VELOCITÀ [rpm] ALLE TENSIONI						P [kw]	I [A]	η [%]	ARMATURA	
	160V	220V	260V	330V	400V	440V				L [mH]	R <sub>115</sub> [Ω]
J										15	2.2
			750				5.7	30.1	73.0		
				1020			7.6	29.9	77.8		
					1300		9.7	29.8	81.3		
						1460	10.8	29.7	82.8		
K										18	2.6
			670				5.1	28.1	71.0		
				920			7.0	28.0	76.0		
					1170		8.9	27.9	79.8		
						1320	10.0	27.9	81.6		
L										21	2.9
				840			6.5	26.3	74.8		
					1080		8.2	26.2	78.5		
						1210	9.2	26.1	80.3		
M										24	3.3
				770			6.0	24.9	73.2		
					990		7.6	24.9	77.2		
						1110	8.6	24.8	79.0		
N										28	3.9
				700			5.4	22.9	72.0		
					910		6.9	22.9	75.8		
						1030	7.8	22.8	77.8		
O										35	4.7
				610			4.6	20.4	69.6		
					790		6.0	20.4	73.8		
						900	6.8	20.4	75.7		
P										44	6.0
					680		5.2	18.3	71.0		
						770	5.9	18.3	73.4		

I dati riportati fanno riferimento a motori:

- con ventilazione assistita addossata PVA
- in servizio continuo CEI S1
- con alimentazione con fattore di forma = 1
- con temperatura massima ambiente 40 °C
- con altitudine s.l.m. max 1000 m.

# MM 112 L

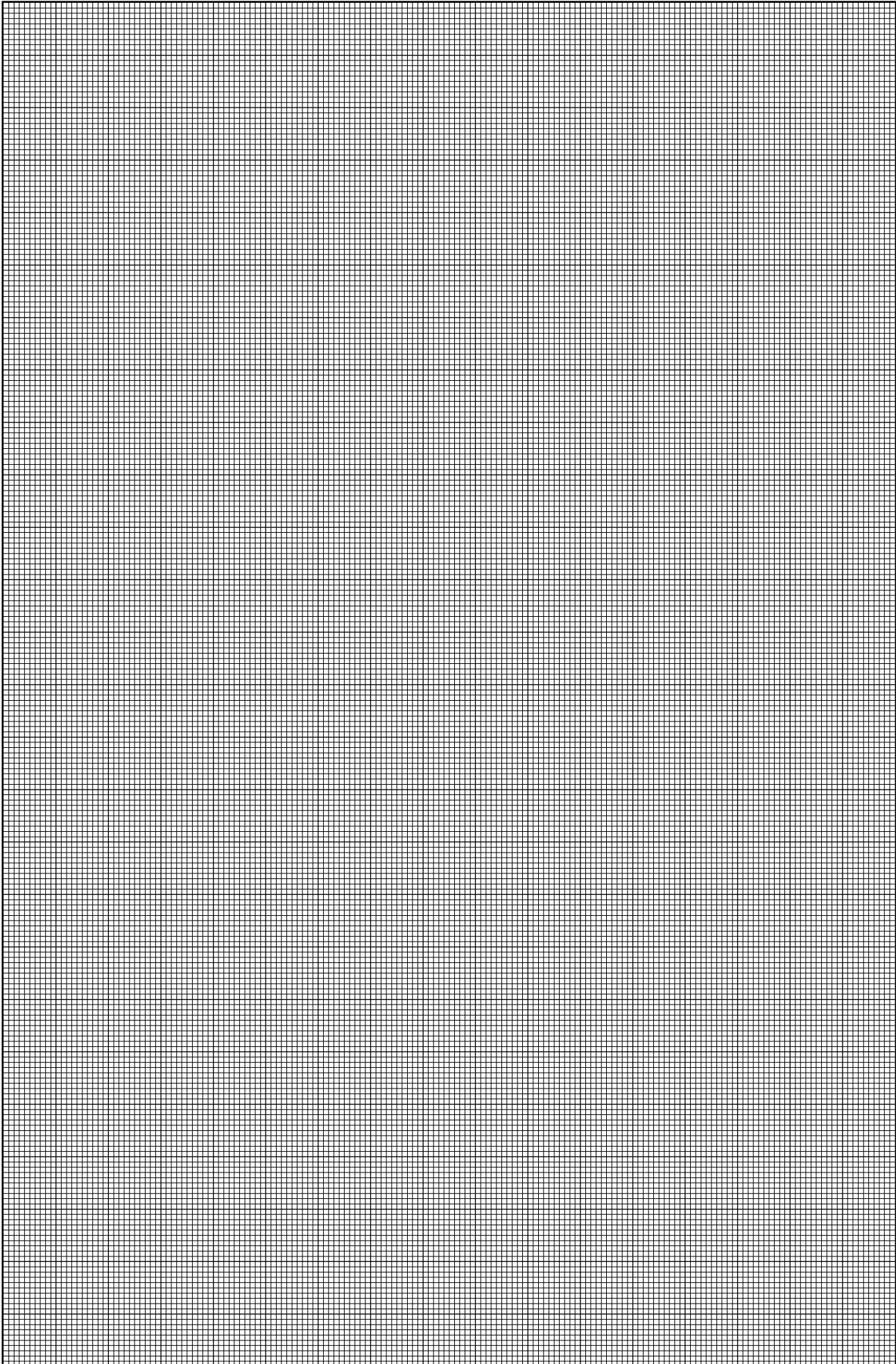
	VELOCITÀ [rpm] ALLE TENSIONI						P [kw]	I [A]	$\eta$ [%]	ARMATURA	
	160V	220V	260V	330V	400V	440V				L [mH]	R <sub>115</sub> [ $\Omega$ ]
A	1650						11.0	80.0	85.8	1.2	0.17
		2330					15.6	80.0	88.8		
			2790				18.7	80.0	89.8		
				3580			23.7	80.0	90.0		
B	1150						10.4	80.0	81.2	2.2	0.30
		1670					15.1	80.0	86.0		
			2010				18.3	80.0	87.8		
				2610			23.7	80.0	89.6		
					3210		28.8	80.0	89.9		
						3550	31.7	80.0	90.0		
C	860						8.8	71.9	77.0	3.4	0.46
		1270					12.9	71.0	82.6		
			1550				15.6	70.6	85.0		
				2030			20.2	69.7	87.9		
					2510		24.5	68.5	89.4		
						2780	26.8	67.8	89.8		
D	680						7.1	60.2	73.8	4.9	0.66
		1020					10.5	59.9	79.5		
			1250				12.8	59.7	82.4		
				1650			16.7	59.2	85.8		
					2050		20.6	58.4	88.0		
						2280	22.6	58.0	88.7		
E		840					8.7	51.7	76.7	6.6	0.89
			1040				10.7	51.4	79.8		
				1380			14.0	51.1	83.0		
					1730		17.4	50.6	86.2		
						1920	19.3	50.2	87.3		
F		710					7.3	45.0	74.3	8.6	1.2
			880				9.0	44.9	77.4		
				1180			12.0	44.6	81.6		
					1480		15.0	44.3	84.6		
						1650	16.7	44.2	85.8		
G		610					6.4	40.2	72.2	10.9	1.4
			760				7.8	40.2	75.2		
				1030			10.5	40.1	79.6		
					1300		13.2	39.8	82.8		
						1450	14.7	39.7	84.3		
H			660				6.8	35.9	73.2	13.5	1.9
				900			9.2	35.8	77.6		
					1140		11.5	35.6	81.0		
						1270	12.9	35.5	82.6		
I										16.3	2.2
				800			8.2	32.6	76.0		
					1020		10.3	32.4	79.4		
						1140	11.5	32.3	81.0		

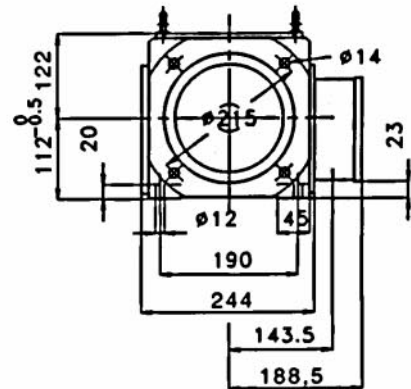
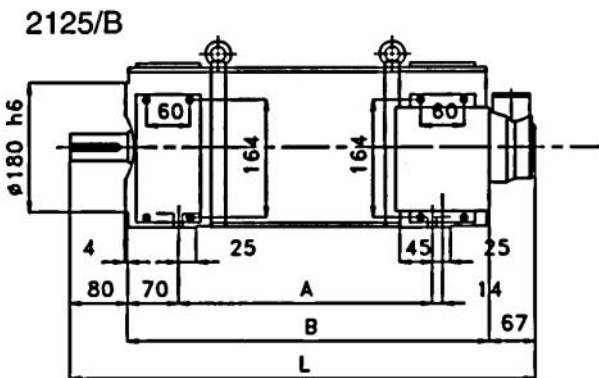
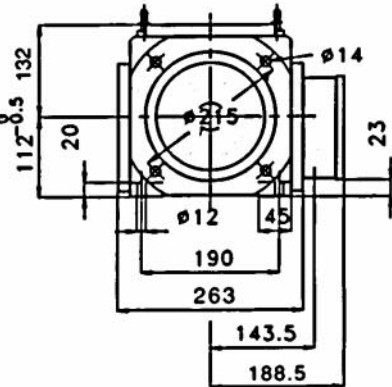
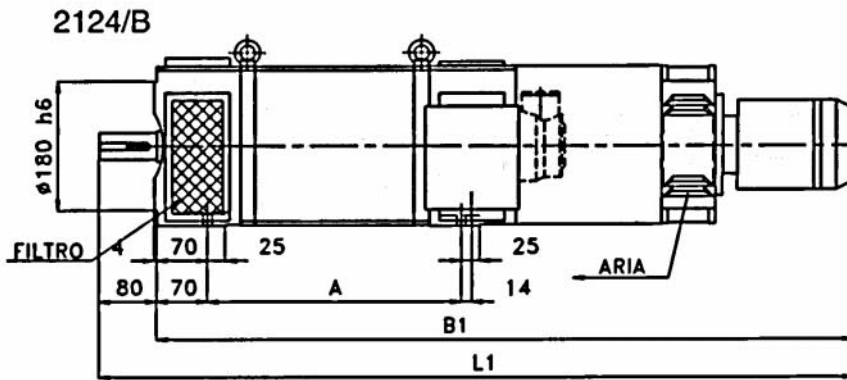
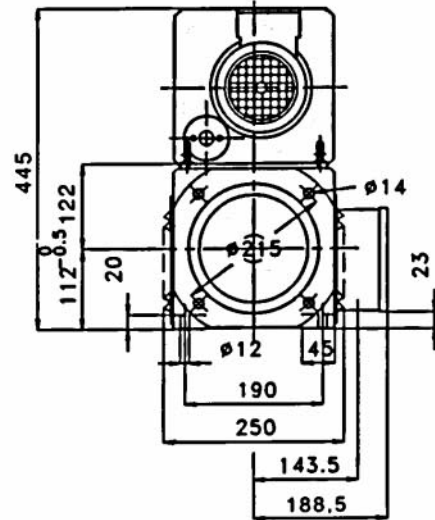
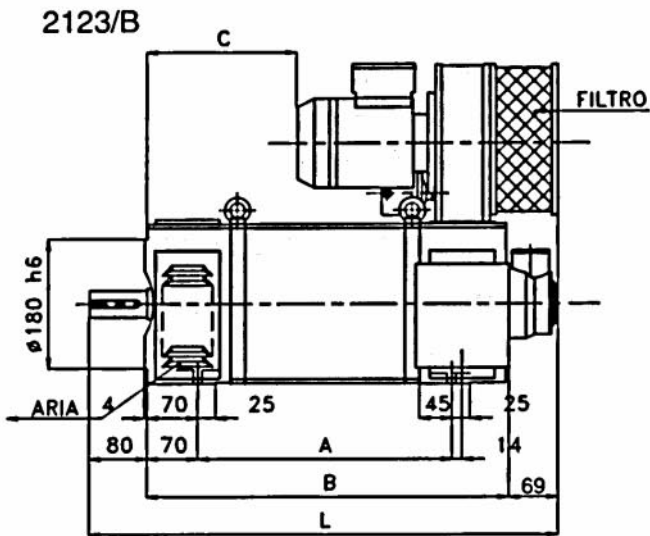
	VELOCITÀ [rpm] ALLE TENSIONI						P [kw]	I [A]	$\eta$ [%]	ARMATURA	
	160V	220V	260V	330V	400V	440V				L [mH]	R <sub>115</sub> [ $\Omega$ ]
J										19.4	2.7
				710			7.2	29.5	74.3		
					910		9.2	29.5	77.8		
K										22.8	3.2
				640			6.6	27.6	72.8		
					820		8.4	27.6	76.4		
L										26.4	3.6
					750		7.7	25.8	75.0		
						850	8.7	25.8	76.8		
M										30.3	4.0
					680		7.2	24.5	73.8		
						780	8.1	24.5	75.6		

The data shown refer to motors:

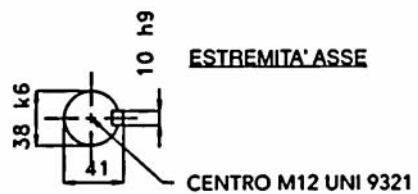
- with assisted leaning ventilation PVA
- in continuous service CEI S1
- with form factor = 1
- with maximum room temperature 40 °C
- with maximum height above sea level 1000

Note:





Tipo Type	Ingombro massimo / Max overall						
	A	B	B1	C	L	L1	L2
S	260	405	871	117	555	951	553
MM 112 M	290	435	901	147	585	981	583
L	350	495	961	207	645	1041	643



La MAGNETIC si riserva la facoltà di cambiare senza preavviso i dati contenuti nel presente catalogo. / MAGNETIC reserves the right to change any data contained in this catalogue, without previous notice.